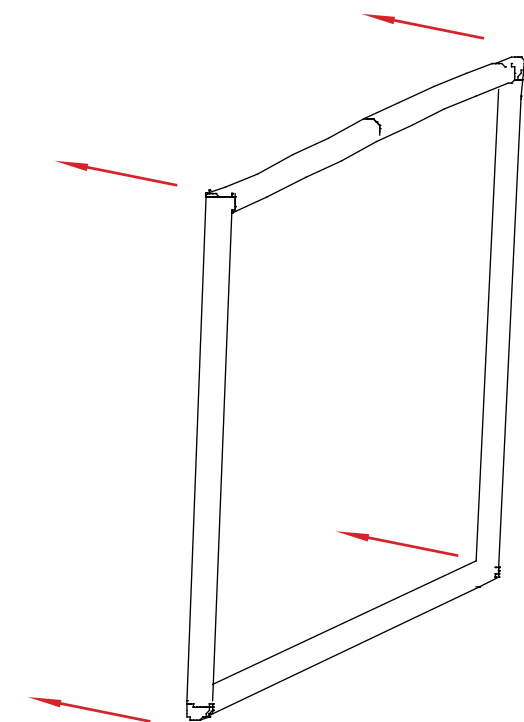
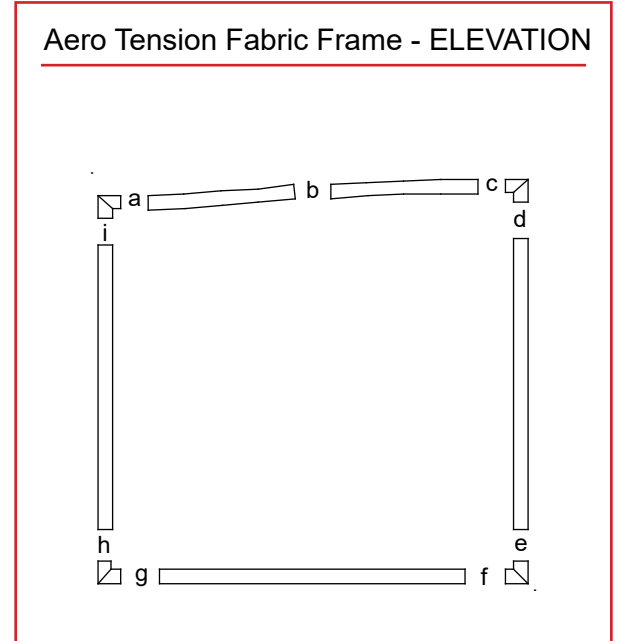
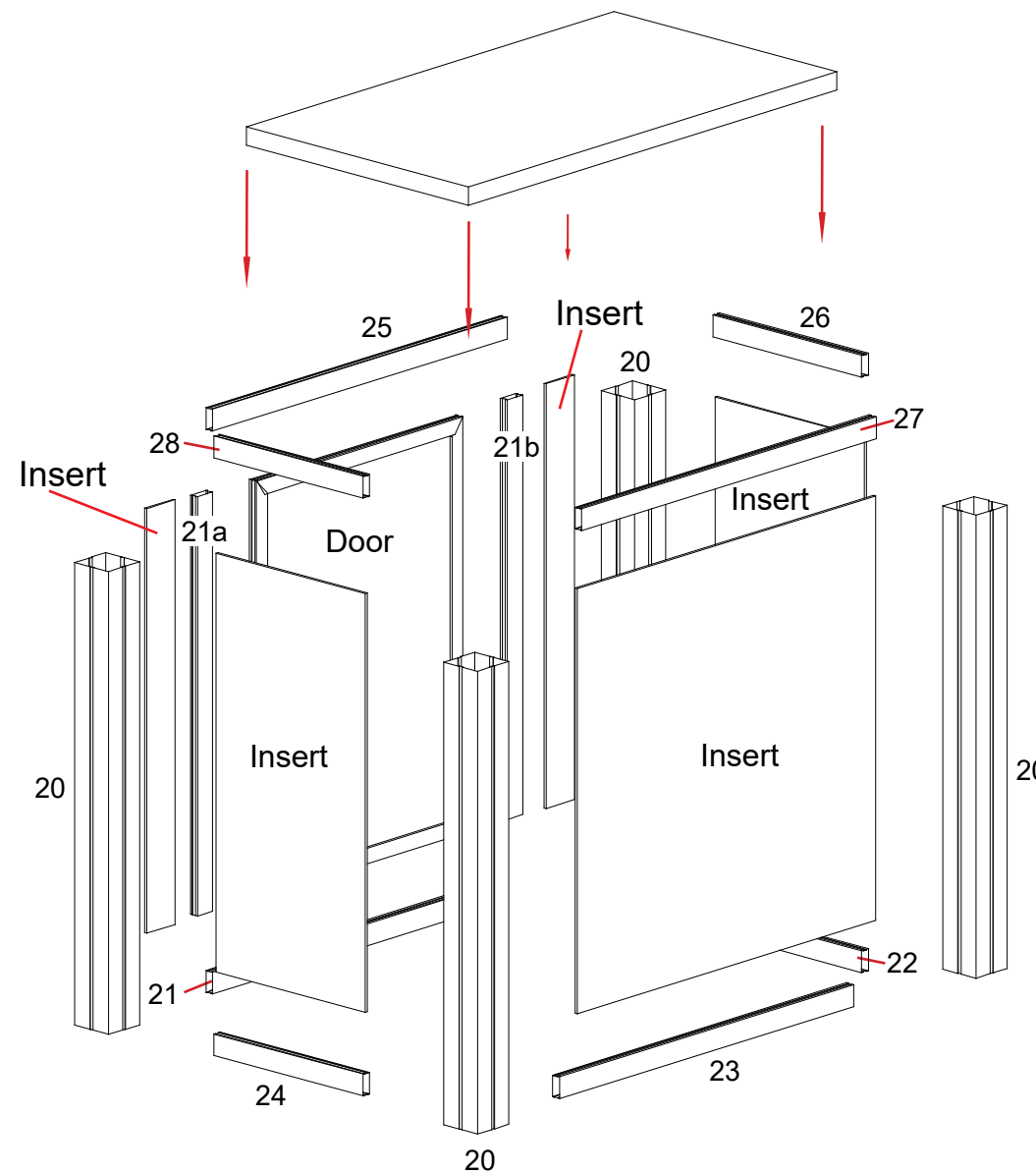
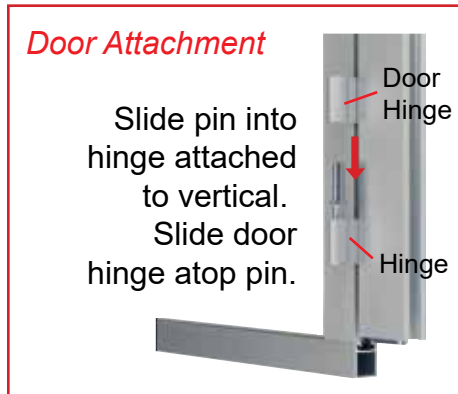


| Label Number | Quantity | Description |
|--------------|----------|---|
| 20 | 4 | 38" Vertical extrusion |
| 21 | 1 | 34" Lower Horizontal extrusion |
| 21a/21b | 1/1 | 34.418"h Vertical extrusion w/Door Hardware |
| 22 | 1 | 15" Lower Horizontal extrusion |
| 23 | 1 | 34" Lower Horizontal extrusion |
| 24 | 1 | 15" Lower Horizontal extrusion |
| 25 | 1 | 34" Upper Horizontal extrusion |
| 26 | 1 | 15" Upper Horizontal extrusion |
| 27 | 1 | 34" Upper Horizontal extrusion |
| 28 | 1 | 15" Upper Horizontal extrusion |

Steps

- 1) Place and firmly attach all Lower Horizontal extrusions to Vertical extrusions 21, 22, 23, 24 also attach Vertical extrusions 21a and 21b to Horizontal extrusion 21.
- 2) Place Small and Large Laminated Sintra Inserts and Door as shown.
- 3) Place and attach all Upper Horizontal extrusions to Vertical extrusions 25, 26, 27 and 28.
- 4) Place Rectangular Counter atop assembled Pedestal.
- 5) Assemble Aero Tension Fabric Frame.
- 6) Attach Graphics to Aero Tension Fabric Frame.
- 7) Attach Aero Tension Frame to Pedestal using Velcro strips.



SETUP INSTRUCTIONS

General Setup Instructions

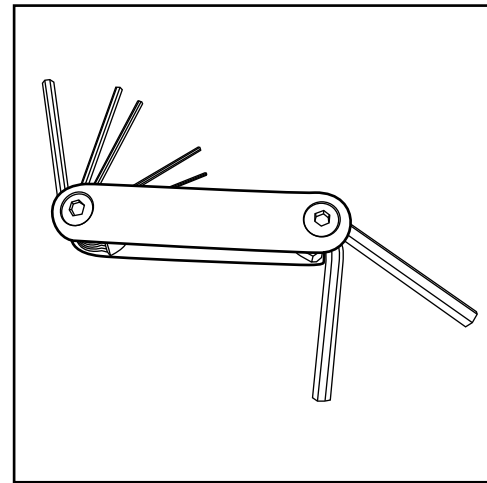
- Read entire setup instruction manual prior to unpacking parts and pieces.
- The setup instructions are created specifically for this configuration.
- Setup instructions are laid out sequentially in steps, including exploded views with detailed explanation for assembly.

Cleaning & Packing

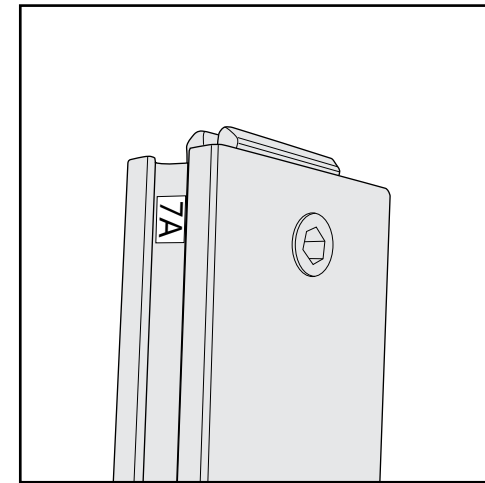
- For Cleaning Metal, Plex, & Laminate Parts: Use a **MILD NON-ABRASIVE** cleanser and soft cloth/paper towel to clean all surfaces.
- Keep exhibit components away from heat and prolonged sun exposure. **Heat and UV exposure will warp and fade components.**
- Retain all provided Packing Materials. All provided packing materials are for ease of repacking & component protection.

Disassembly

- For loss prevention, tighten all set screws and locks during disassembly.



Hex Tool - Essential for Assembly



Part Identification - Numbering



Spline Connection



Base Plate & Extrusion Connection



Extrusion & Lock Connection



Engaged Lock



WARNING



DO NOT USE POWER TOOLS



LADDERS OR LIFTS
MAY BE REQUIRED



ALL CONNECTIONS MUST
BE TIGHTLY SECURED