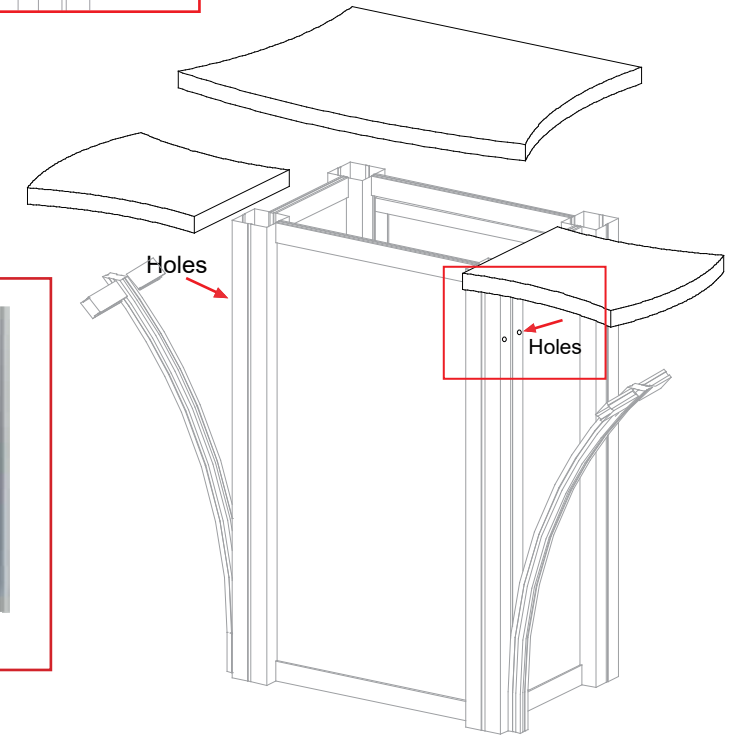
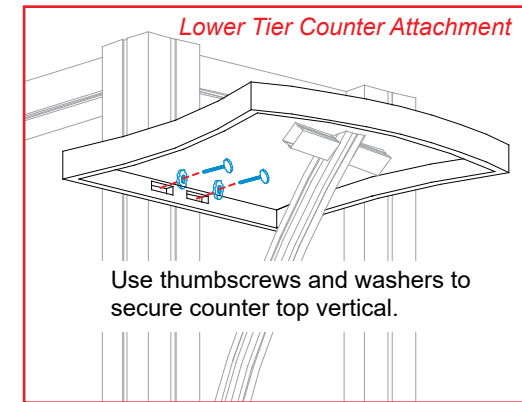
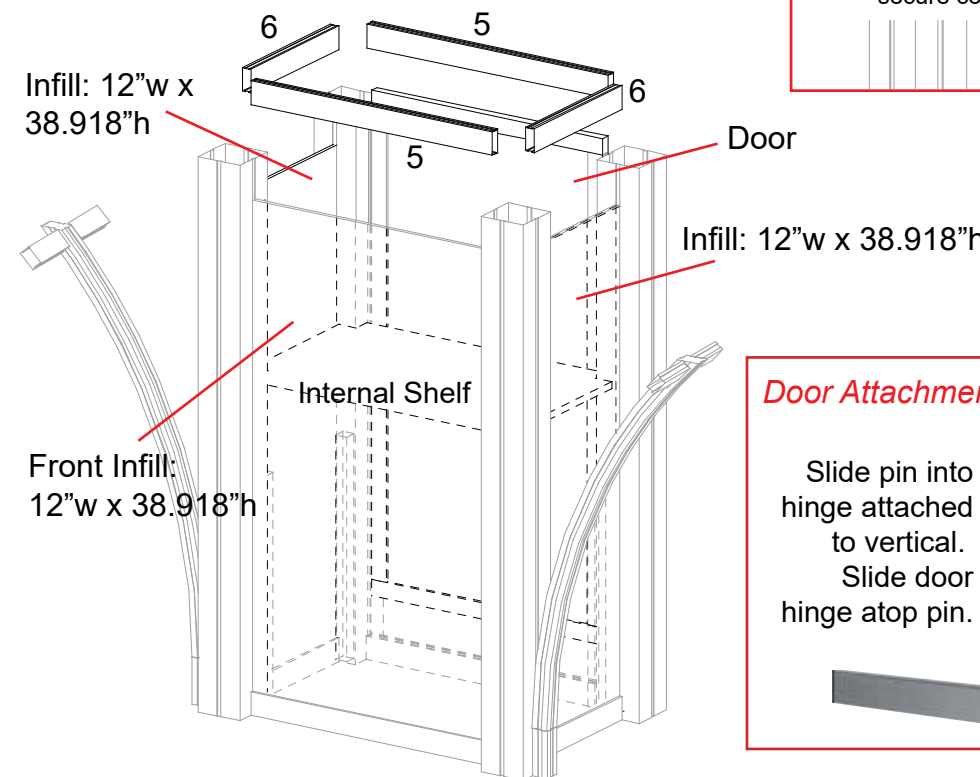
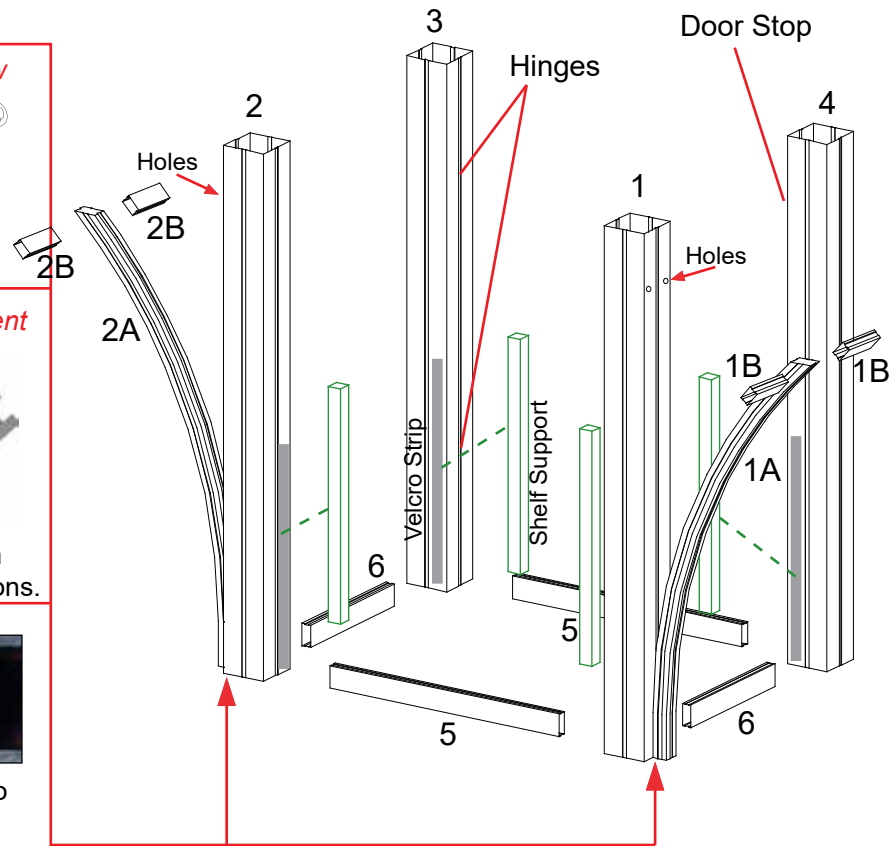
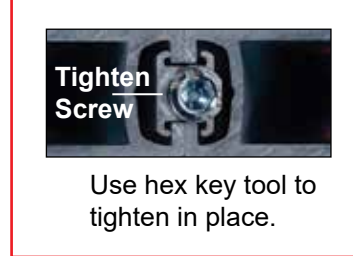
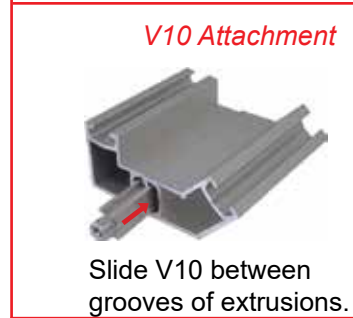
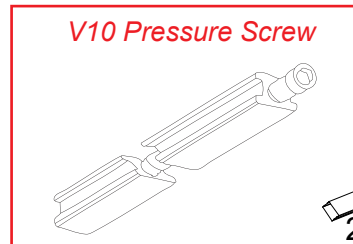
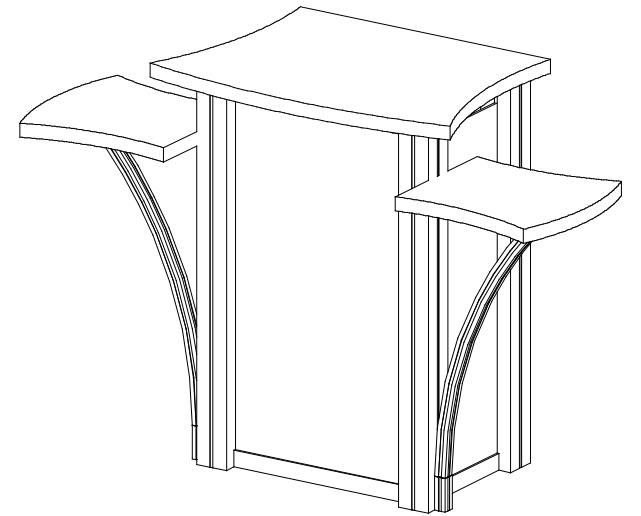


Item	Qty.	Description
1/2	1/1	42" h Vertical Extrusion
1A/2A	1/1	34.7" Curved Vertical Extrusion
1B/2B	2/2	4" w Shelf Support
3	1	42" h Vertical Extrusion w/ Door Hinges
4	1	42" h Vertical Extrusion w/ Door Stop
5	4	20.6" w Horizontal Extrusion
6	4	11.5" w Horizontal Extrusion

**Steps:**

- 1) Attach curve pieces [1A and 2A] to vertical extrusions [1 and 2] using V10 connectors as shown.
- 2) Connect shelf supports to curve extrusions [2A and 1A] as shown.
- 3) Connect lower horizontal extrusions [5 and 6] between verticals [1, 2, 3 and 4].
- 4) Place infills and attach door where indicated.
- 5) Connect upper horizontal extrusions [5 and 6] between verticals [1, 2, 3 and 4].
- 6) Velcro shelf supports to inside of assembled base.
- 7) Please internal shelf atop supports.
- 8) Set lower tier counters atop curve verticals and secure to straight verticals using thumbscrews and washers.
- 9) Set counter top on assembled base.



# SETUP INSTRUCTIONS

## General Setup Instructions

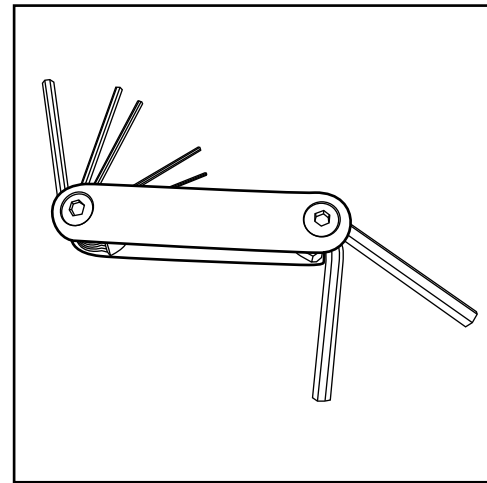
- Read entire setup instruction manual prior to unpacking parts and pieces.
- The setup instructions are created specifically for this configuration.
- Setup instructions are laid out sequentially in steps, including exploded views with detailed explanation for assembly.

## Cleaning & Packing

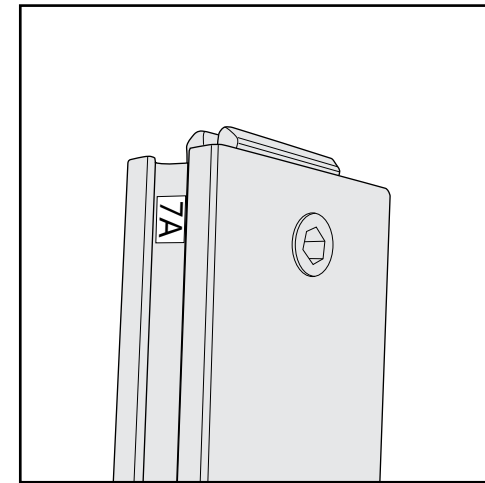
- For Cleaning Metal, Plex, & Laminate Parts: Use a **MILD NON-ABRASIVE** cleanser and soft cloth/paper towel to clean all surfaces.
- Keep exhibit components away from heat and prolonged sun exposure.  
**Heat and UV exposure will warp and fade components.**
- Retain all provided Packing Materials. All provided packing materials are for ease of repacking & component protection.

## Disassembly

- For loss prevention, tighten all set screws and locks during disassembly.



Hex Tool - Essential for Assembly



Part Identification - Numbering



Spline Connection



Base Plate & Extrusion Connection



Extrusion & Lock Connection



Engaged Lock



**WARNING**



DO NOT USE POWER TOOLS

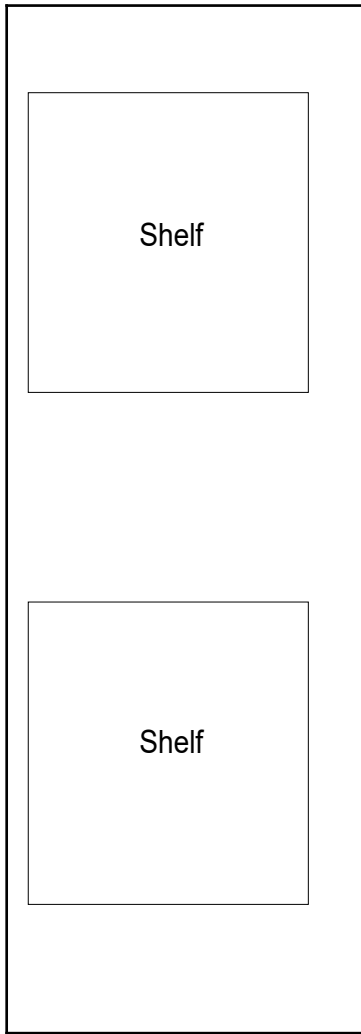


LADDERS OR LIFTS  
MAY BE REQUIRED

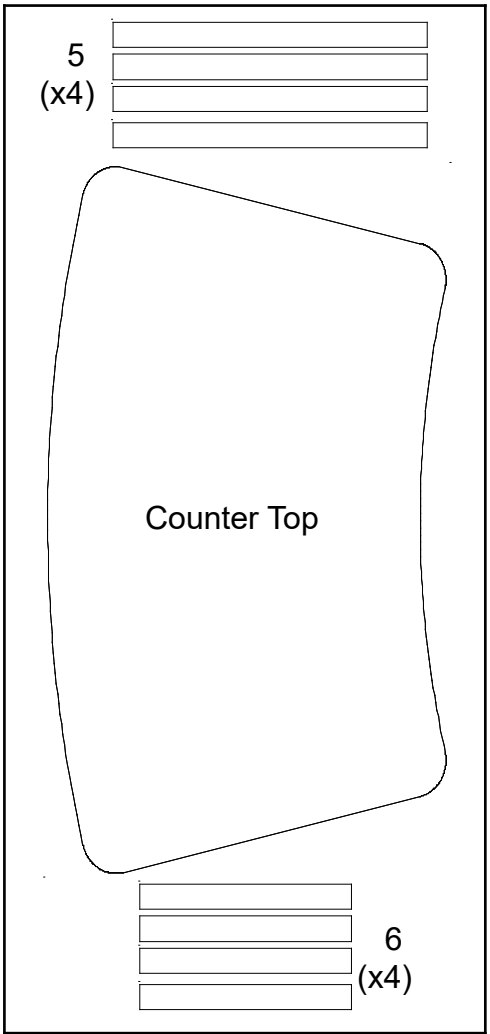


ALL CONNECTIONS MUST  
BE TIGHTLY SECURED

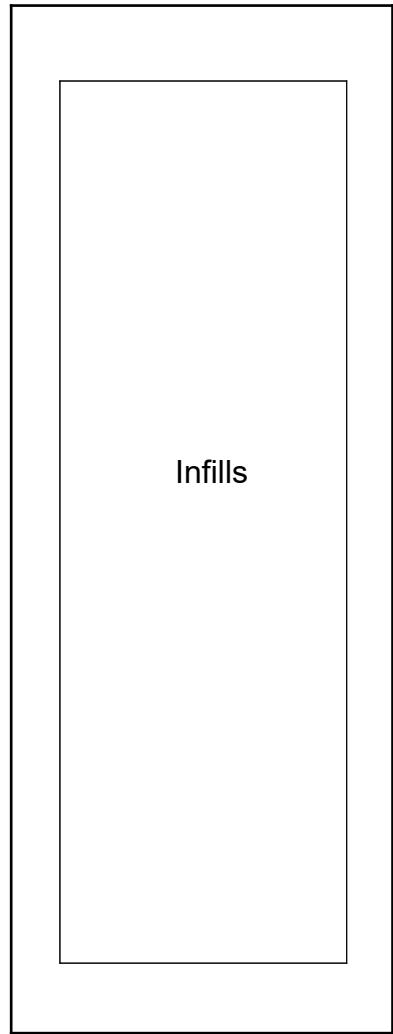
Top View of Each Level



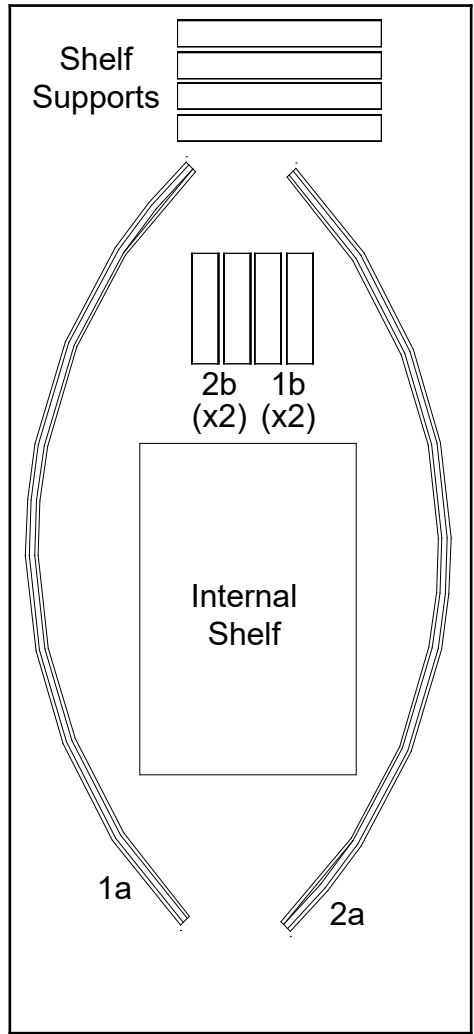
Level 1



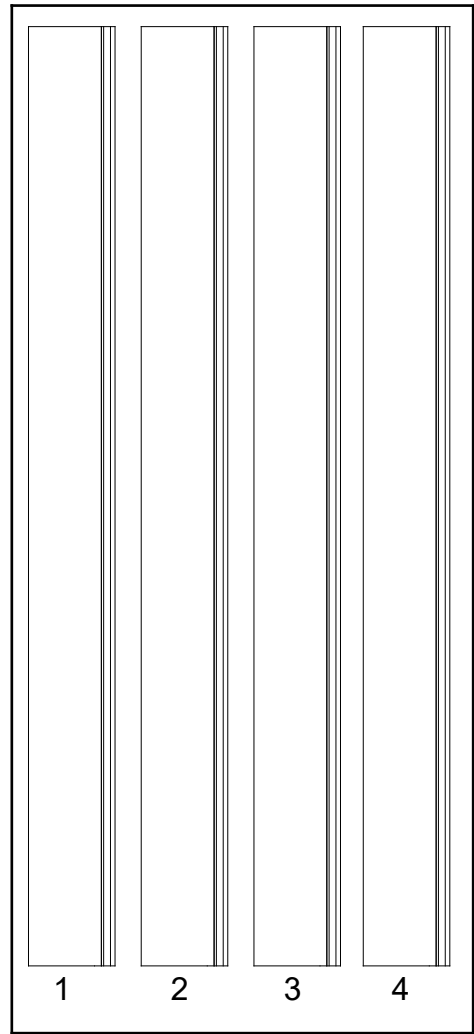
Level 2



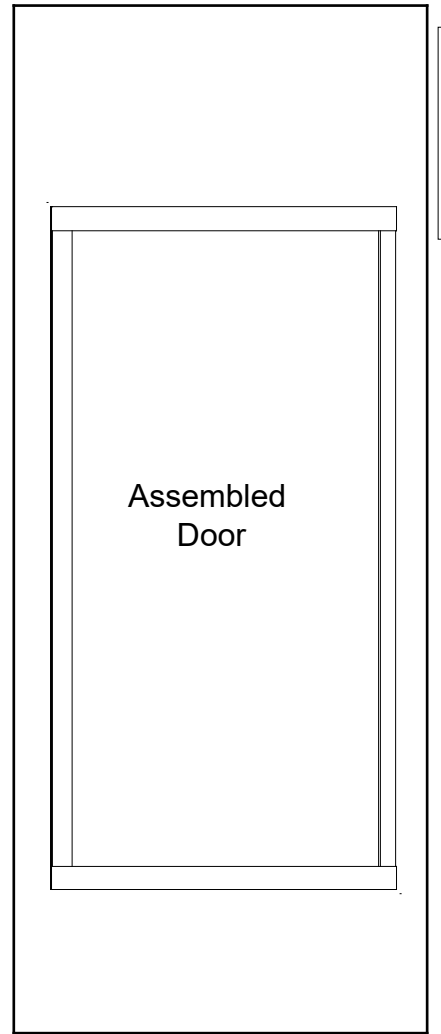
Level 3



Level 4



Level 5



Level 6

